

Preface

Thanks for your favor in our product. To derive optimum performance from the product, please read this manual carefully before use.

This manual is applicable to the following product:

SM27W1 Wireless Remote Speaker Microphone

Disclaimer

Hytera Communications Corporation Limited (the Company) endeavors to achieve the accuracy and completeness of this manual, but no warranty of accuracy or reliability is given. All the specifications and designs are subject to change without notice due to continuous technology development. No part of this manual may be copied, modified, translated, or distributed in any manner without the express written permission of us.

We do not guarantee, for any particular purpose, the accuracy, validity, timeliness, legitimacy or completeness of the Third Party products and contents involved in this manual.

If you have any suggestions or would like to learn more details, please visit our website at:

<http://www.hytera.com>.

Instructions

- Ensure the distance between the Wireless Remote Speaker Microphone and the mobile radio is within 10 meters during operation.
- Only use the Wireless Remote Speaker Microphone if traffic conditions permit safe use and check if local laws and regulations restrict the use of Wireless Remote Speaker Microphone while driving.
- Do not use the wireless earpiece during lightning storm to avoid malfunction.

FCC Warning:

This device complies with Part 15 of the FCC Rules. Operation is subject to the following two conditions: (1) this device may not cause harmful interference, and (2) this device must accept any interference received, including interference that may cause undesired operation.

Changes or modifications not expressly approved by the party responsible for compliance could void the user's authority to operate the equipment.

NOTE: This equipment has been tested and found to comply with the limits for a Class B digital device, pursuant to Part 15 of the FCC Rules. These limits are designed to provide reasonable protection against harmful interference in a residential installation. This equipment generates, uses and can radiate radio frequency energy and, if not installed and used in accordance with the

instructions, may cause harmful interference to radio communications. However, there is no guarantee that interference will not occur in a particular installation. If this equipment does cause harmful interference to radio or television reception, which can be determined by turning the equipment off and on, the user is encouraged to try to correct the interference by one or more of the following measures:

- Reorient or relocate the receiving antenna.
- Increase the separation between the equipment and receiver.
- Connect the equipment into an outlet on a circuit different from that to which the receiver is connected.
- Consult the dealer or an experienced radio/TV technician for help.

The device has been evaluated to meet general RF exposure requirement. The device can be used in portable exposure condition without restriction.

IC Caution:

RSS-Gen Issue 4, November 13, 2014" & "CNR-Gen 4e édition Novembre 13, 2014

- English:

This device complies with Industry Canada licence-exempt RSS standard(s).

Operation is subject to the following two conditions: (1) This device may not cause interference, and (2) This device must accept any interference, including interference that may cause undesired operation of the device.

- French:

Le présent appareil est conforme aux CNR d'Industrie Canada applicables aux appareils radio exempts de licence. L'exploitation est autorisée aux deux conditions suivantes:

- (1) l'appareil ne doit pas produire de brouillage, et
- (2) l'utilisateur de l'appareil doit accepter tout brouillage radioélectrique subi, même si le brouillage est susceptible d'en compromettre le fonctionnement.

1. Items in the Package

There two kinds of delivery forms: one is that the package will contain all the items listed below;

Please unpack carefully and make sure all the items are received per your purchase. If any item is missing or damaged, please contact your dealer.

No.	Name	Qty.
1	Wireless Remote Speaker Microphone	1
2	Vehicle Power Adapter	1
3	Vehicle Charger	1
4	Screws	2
5	Owner's Manual	1



Note

Wireless ring PTT mentioned in this manual is an optional accessory. Please contact us or your local dealer for details.

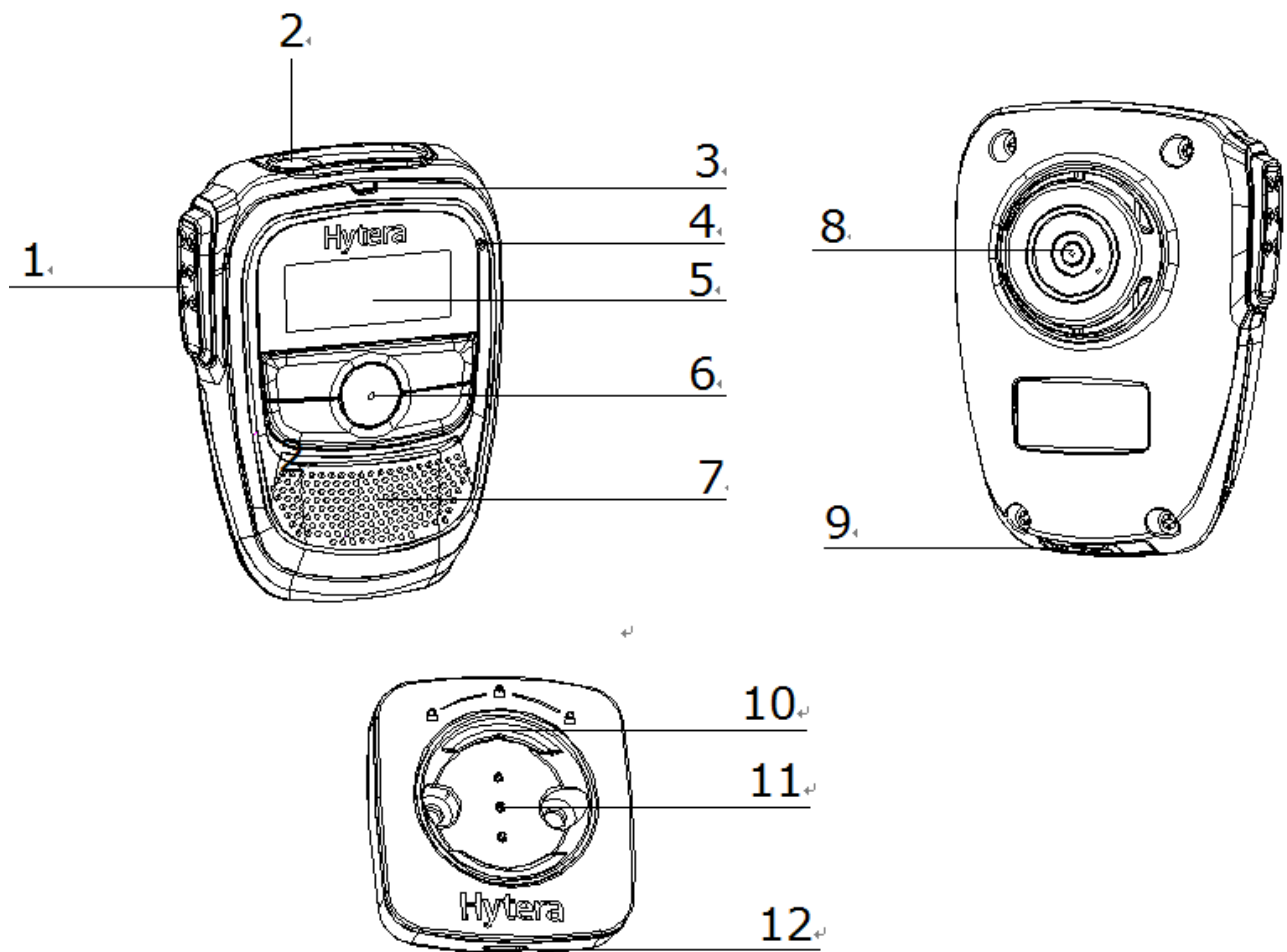
C €2200

2. Product Overview

This exquisite, easy-to-carry and low-powered mobile radio wireless kit is applicable to MD65X/MD78X conventional mobile radios with firmware version of V7.00.10.000 and above.

2.1 Product Controls


2.1.1 Wireless Remote Speaker Microphone



No.	Part Name	No.	Part Name
1	PTT (Push-to-Talk) Key	7	Speaker
2	TK (Top Key)	8	Male Buckle
3	LED Indicator	9	USB Port

No.	Part Name	No.	Part Name
4	Microphone	10	Female Buckle
5	LCD Display	11	Charging Pin
6	Keypad Area (including Left, Right, Power On/Off/Switch Key, P1 and P2)	12	USB Port

2.1.2 Programmable Keys

For enhanced convenience, you may request your dealer to program the TK  P1 and P2 as shortcuts to certain functions.

Caution

The TK key is programmed with emergency feature by default (short press: Emergency On; long press: Emergency Off). It is programmable by your dealer.

2.2 LED Indicator

LED Indication	Wireless Remote Speaker Microphone Status
The LED indicator flashes red and blue alternatively.	Pairing
The LED Indicator glows red.	<ul style="list-style-type: none"> ● Transmitting ● Charging
The LED indicator flashes red.	Low battery power
The LED indicator flashes blue twice rapidly.	Connected with no voice
The LED indicator flashes blue once rapidly.	Connected with voice
The LED indicator flashes blue slowly.	Paired but not connected

LED Indication	Wireless Remote Speaker Microphone Status
The LED Indicator glows blue.	/
The LED indicator glows green.	Fully charged

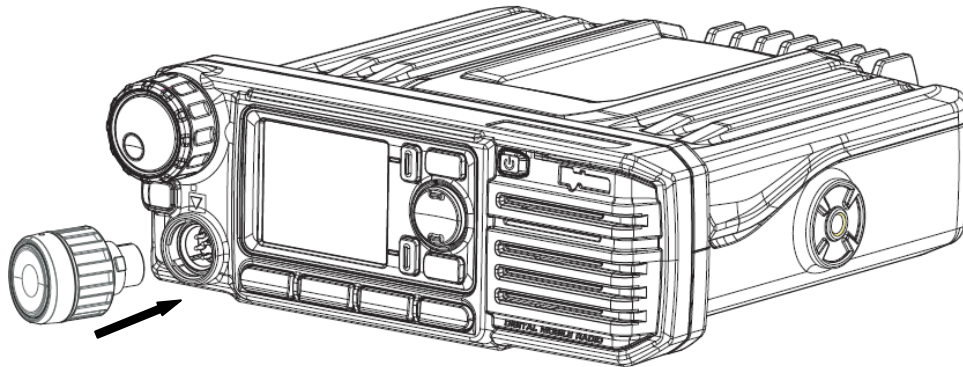
2.3 Specifications

Item	Value
Talk Time	>15 hours
Waterproof and Dustproof Level	IP54
Operating Temperature	-30°C to +60°C
Storage Temperature	-40°C to +85°C

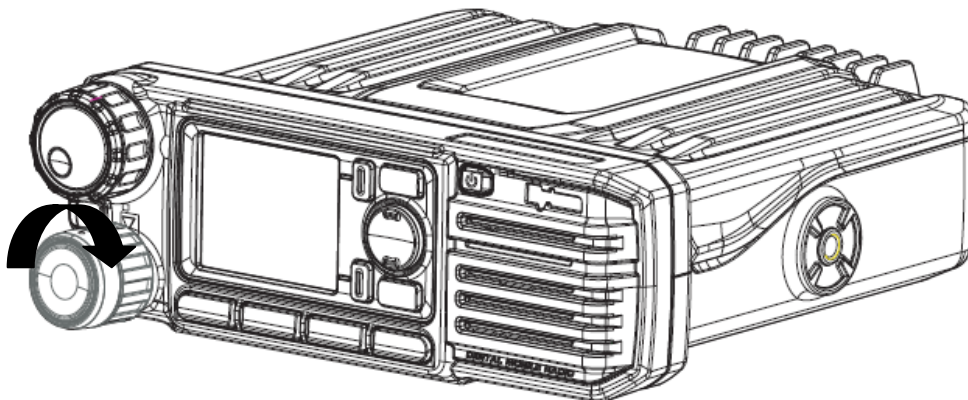
3. Before Use

3.1 Installing Wireless Audio Adapter

Step 1 Make the indication point face upward, adjust the lock knob and fix the wireless audio adapter into the remote speaker microphone connector properly.

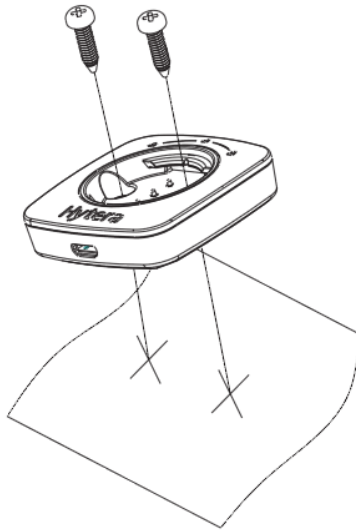


Step 2 Rotate the lock knob clockwise to fasten it.



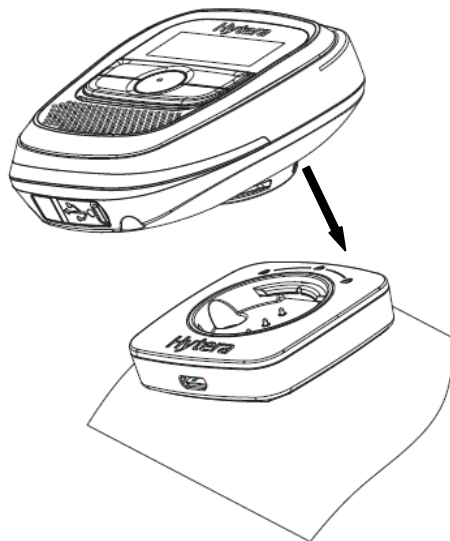
3.2 Installing Vehicle Charger

Install the vehicle charger on a suitable place on the vehicle panel, then use two screws to fix it. See the figure below.



3.3 Installing Wireless Remote Speaker Microphone

Insert the male buckle of the wireless remote speaker microphone into the female buckle of the vehicle charger, and then fix the wireless remote speaker microphone against the vehicle charger. See the figure below.



Note

To remove the wireless remote speaker microphone, rotate it clockwise or counterclockwise for an angle equal to or larger than 45°.

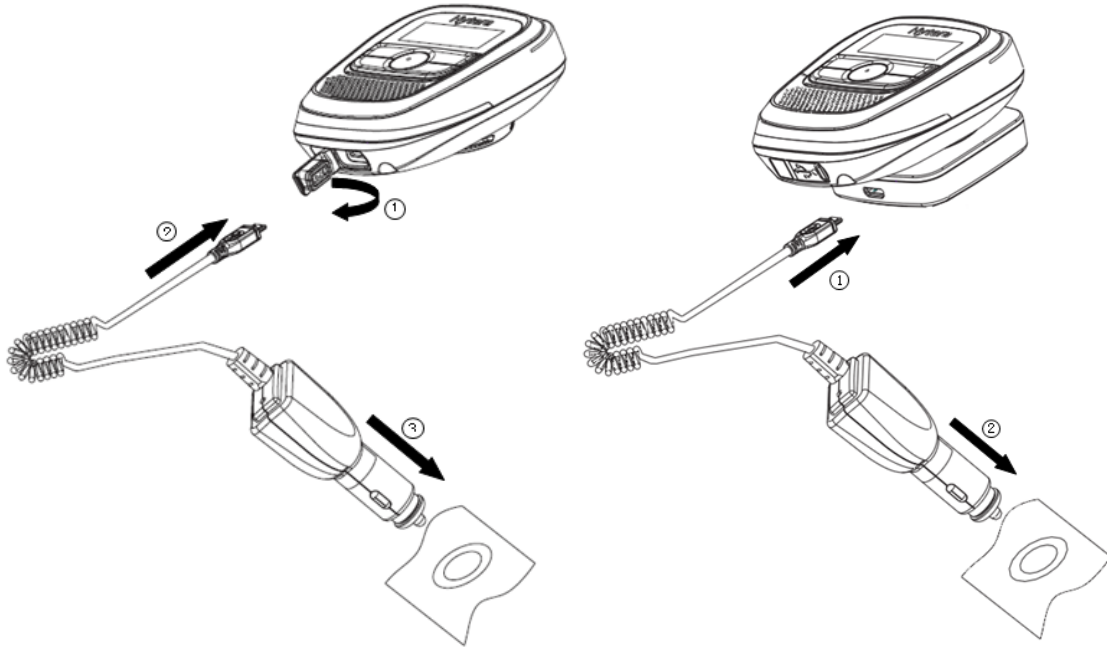
3.4 Charging Wireless Remote Speaker Microphone

Note

- If the product is idle for a long time, charge it at least once within three months.

- Remove the vehicle power adapter when the product is fully charged. Over charged may shorten the life span of the battery.

Charge the wireless remote speaker microphone before use. During charging, the LED indicator of the wireless remote speaker microphone glows red; when it is fully charged, the LED indicator glows green.



4. Basic Operations

4.1 Powering On/Off

The wireless remote speaker microphone will emit a tone upon power-on and power-off.

Power On

- Wireless remote speaker microphone: Long press the Power On/Off/Switch Key.

The LED indicator flashes after the wireless devices are powered on. Please refer to [2.2 LED Indicator](#) for details.

Power Off

- Wireless remote speaker microphone: Long press the Power On/Off/Switch Key until the LCD displays “Select Power Off”, then short press the Power On/Off/Switch Key.



Note

When the LCD displays “Select Power Off”, you can use Right key to select “No” and press the Power On/Off/Switch Key to cancel. Or you can wait for ten seconds for the microphone to return to home screen.

4.2 Pairing with and Connecting to the Adapter

Pairing and connection involve the following situations. Please pair and connect the devices per actual needs before use. Afterwards, the devices will be connected automatically upon power-on.



Caution

When the wireless audio adapter is connected to wireless remote speaker microphone and wireless ring PTT, if any device needs to be changed, the devices must be connected again following the steps below.

4.2.1 Using Wireless Audio Adapter with Wireless Remote Speaker

Microphone

Step 1 Turn off other devices connected to wireless audio adapter and wireless remote speaker microphone.

Step 2 Turn off the wireless remote speaker microphone.

Step 3 Turn on the mobile radio.

Step 4 Long press the PTT/Multi-functional Key of the wireless audio adapter and the Power On/Off/Switch Key of the wireless remote speaker microphone respectively until the LED indicator flashes red and blue alternatively to enter pairing mode. After successful pairing, the wireless remote speaker microphone will be connected to the wireless audio adapter automatically.

After successful connection, the LED indicator of wireless remote speaker microphone will flash blue rapidly and the LED indicator of the wireless audio adapter will glow blue (waiting for pairing and connection of wireless ring PTT). About three minutes later, the LED indicator of the wireless audio adapter will flash blue rapidly.

4.2.2 Using Wireless Audio Adapter with Wireless Remote Speaker Microphone and Wireless Ring PTT

Step 1 Turn off other devices connected to wireless audio adapter, wireless remote speaker microphone and wireless ring PTT.

Step 2 Turn off the wireless remote speaker microphone and wireless ring PTT.

Step 3 Turn on the mobile radio.

Step 4 Long press the PTT/Multi-functional Key of the wireless audio adapter and the Power On/Off/Switch Key of the wireless remote speaker microphone respectively until the LED indicator flashes red and blue alternatively to enter pairing mode. After successful pairing, the wireless remote speaker microphone will be connected to the wireless audio adapter automatically.

After successful connection, the LED indicator of wireless remote speaker microphone will flash blue rapidly and the LED indicator of the wireless audio adapter will glow blue (waiting for pairing and connection of wireless ring PTT).

Step 5 Long press the + key and – key of the wireless ring PTT until the LED indicator glows blue to enter pairing mode. After successful pairing, the wireless ring PTT will be connected to the wireless audio adapter automatically.

After successful connection, the LED indicators of the wireless audio adapter and the wireless ring PTT will flash blue rapidly.

4.2.3 Using Wireless Audio Adapter with Wireless Ring PTT

Step 1 Turn off other devices connected to wireless audio adapter and wireless ring PTT.

Step 2 Turn off the wireless ring PTT.

Step 3 Turn on the mobile radio.

Step 4 Long press the PTT/Multi-functional key of the wireless audio adapter until the LED indicator flashes red and blue alternatively, then short press the PTT/Multi-functional key for three times until the LED indicator glows blue to enter wireless ring PTT pairing mode.

Step 5 Long press the + key and – key of the wireless ring PTT until the LED indicator glows blue to enter pairing mode. After successful pairing, the wireless ring PTT will be connected to the wireless audio adapter automatically.

After successful connection, the LED indicators of the wireless audio adapter and the wireless ring PTT will flash blue rapidly.

4.3 Adjusting the Volume

In the home screen, press the Power On/Off/Switch Key to switch to Volume option, and then press the Right key to increase the volume or the Left key to decrease the volume.

4.4 Selecting a Zone

In the home screen, press the Power On/Off/Switch Key to switch to Zone option, and then press the Right key or the Left key to select a zone.

4.5 Selecting a Channel

In the home screen, press the Power On/Off/Switch Key to switch to Channel option, and then press the Right key or the Left key to select a channel.

4.6 Transmitting

This product can provide you with flexible transmitting operations. After picking up the wireless remote speaker microphone, you can hold down the PTT key of the wireless remote speaker microphone or the PTT/Multi-functional Key of the wireless audio adapter to transmit.

5. Troubleshooting

Phenomena	Analysis	Solution
Fail to reconnect automatically.	The device may be out of communication range.	Make sure the device is within communication range and pair again. (Max communication distance is 10 meters when there is no obstacle. Communication distance will be shortened when there is obstacle.)
Noise in communication.	The device may be out of communication range.	Make sure the device is within communication range.
LED indicator does not glow red when holding down the PTT key.		
The wireless remote speaker microphone cannot be powered on.	The battery power may run out.	Please recharge the wireless remote speaker microphone.
LED indicator of the wireless remote speaker microphone does not glow red during charging.	The battery power may run out.	Charge the wireless remote speaker microphone for 10 to 20 minutes.
	Power adapter may be damaged.	Replace the power adapter.
Key operation of the wireless remote speaker microphone does not work.	The wireless remote speaker microphone may malfunction.	Hold down the Left, Right and Emergency key at the same time for two seconds to power off the product. Then power on the product again.

If the above solutions cannot fix your problems, or you may have some other queries, please contact us or your local dealer for more technical support.

6. Care and Cleaning

To guarantee optimal performance as well as a long service life of the product, please follow the tips below.

Product Care

- Do not pierce or scrape the product.
- Keep the product far away from substances that can corrode the circuit.
- Cover the charging connector after charging.

Product Cleaning

Caution

Turn off the product before cleaning.

- Clean up the dust and fine particles on the product surface and charging piece with a clean and dry lint-free cloth or a brush regularly.
- Use neutral cleanser and a non-woven fabric to clean the keys and front case after long-time use. Do not use chemical preparations such as stain removers, alcohol, sprays or oil preparations, so as to avoid surface case damage.
- Make sure the product is completely dry before use.